

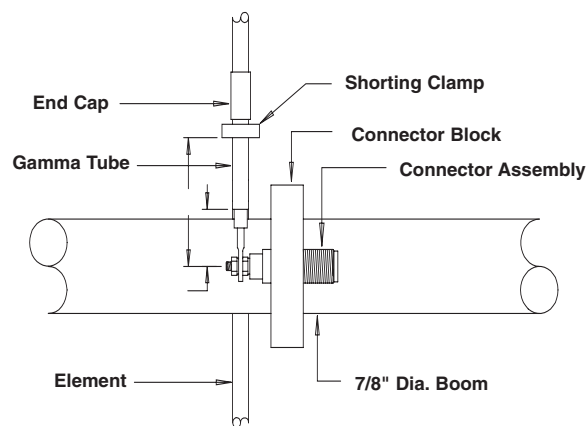
## UHF & 800/900 YAGIS

1. Each antenna comes factory tuned to the center of the band, no further tuning should be necessary.
2. To tune to a different frequency or to check the tuning: BEFORE INSTALLATION, set the antenna up in a clear area and insert a VSWR indicator (through-line wattmeter) into the line. If the reflected power is too high, the gamma match must be adjusted. First, adjust the gamma tube for a minimum reflected power reading. Next, adjust the shorting clamp for minimum reflected power. In order to reduce the VSWR to zero, several runs of adjusting the tube first, then the shorting clamp, may have to be made.
3. Mount the antenna on a mast or tower per mount instructions.

### NOTES:

It is recommended that in vertically polarized installations, the gamma match capacitor tube cap is "up".

### GAMMA MATCH



### CAUTION AND WARNING!

**YOU COULD BE KILLED IF THIS ANTENNA COMES IN CONTACT WITH ELECTRIC POWER LINES OR IS BROUGHT IN PROXIMITY WITH A HIGH VOLTAGE ELECTRICAL FIELD. FOR YOUR OWN SAFETY USE EXTREME CAUTION WHEN INSTALLING THIS ANTENNA. KEEP AWAY FROM POWER LINES.**

## WARRANTY

MAXRAD, Inc. warrants that at the time of shipment the products furnished by MAXRAD, Inc. are free from defects in material and workmanship. MAXRAD, Inc. makes no other warranty, express or implied, with respect to its products. MAXRAD, Inc. will repair or replace, at its option, without charge, any MAXRAD product which fails within two years from date of purchase. This warranty does not extend to any of our products which have been subjected to misuse, neglect, accident, improper installation, improper storage, or improper application, nor shall it extend to units which have been repaired, disassembled or substantially altered outside the MAXRAD factory.

MAXRAD, Inc. reserves the right to inspect all defective products which must be returned to the MAXRAD, Inc. factory freight prepaid. No products will be accepted for replacement or repair without prior written approval. In all cases, final warranty disposition of the defective products will be determined by MAXRAD, Inc. The warranty period shall not be extended beyond its original term with respect to any part or parts repaired or replaced by MAXRAD, Inc.

MAXRAD, INC. WILL NOT BE RESPONSIBLE FOR ANY INDIRECT, SPECIAL, INCIDENTAL OR CONSEQUENTIAL DAMAGES DUE TO FAILURE OF A MAXRAD, INC. PRODUCT UNDER THIS WARRANTY WHETHER SUCH CLAIM IS BASED ON TORT (INCLUDING NEGLIGENCE), CONTRACT, ANY THEORY OF STRICT LIABILITY OR REGULATORY ACTION.

Some states do not allow the exclusion or limitation of incidental or consequential damages, so the above exclusion or limitation may not apply to you.

This warranty gives you specific legal rights, and you may have other rights, which vary, from state to state.

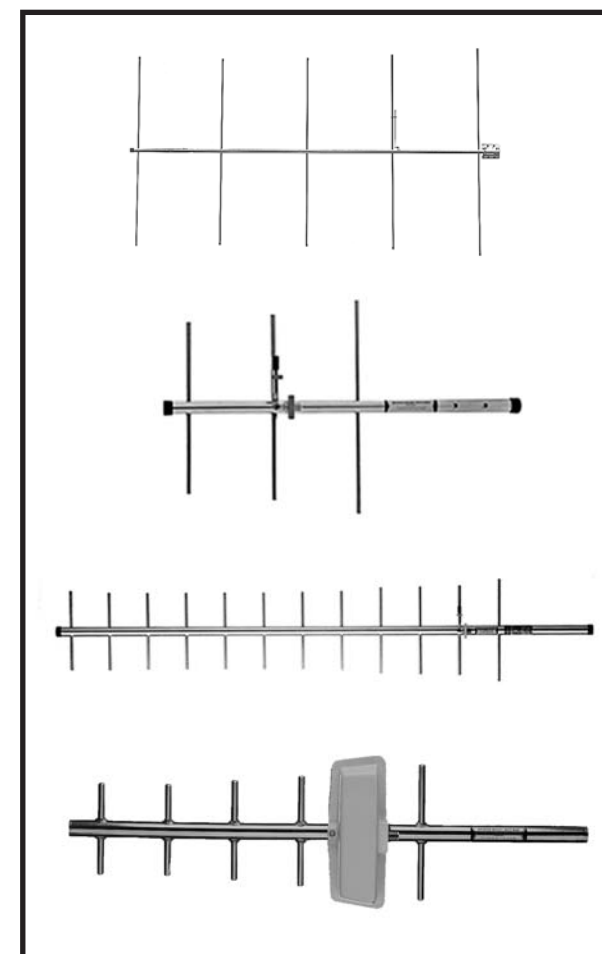
THERE ARE NO WARRANTIES WHICH EXTEND BEYOND THE DESCRIPTION ON THE FACE HEREOF. THE ABOVE STATED WARRANTIES ARE GIVEN IN LIEU OF ALL OTHER WARRANTIES, EXPRESS OR IMPLIED, AND MAXRAD, INC. HEREBY SPECIFICALLY DISCLAIMS ALL IMPLIED WARRANTIES INCLUDING THOSE OF MERCHANTABILITY, FITNESS FOR PARTICULAR PURPOSE AND ANY BASED UPON USAGE OF TRADE OR COURSE OF DEALING.

### RETURNS

In the unlikely event a defect occurs in this product, please work through the dealer or distributor from which this product was purchased. MAXRAD provides complete service and support to all of its dealers and distributors.



**4350 Chandler Drive  
Hanover Park, IL 60133**



## UHF & 800/900 MHz YAGI INSTALLATION INSTRUCTIONS

© 1997- 2004, PCTEL. All rights reserved.

Part # MIS-UHF800YGI-1  
Printed in the U.S.A.